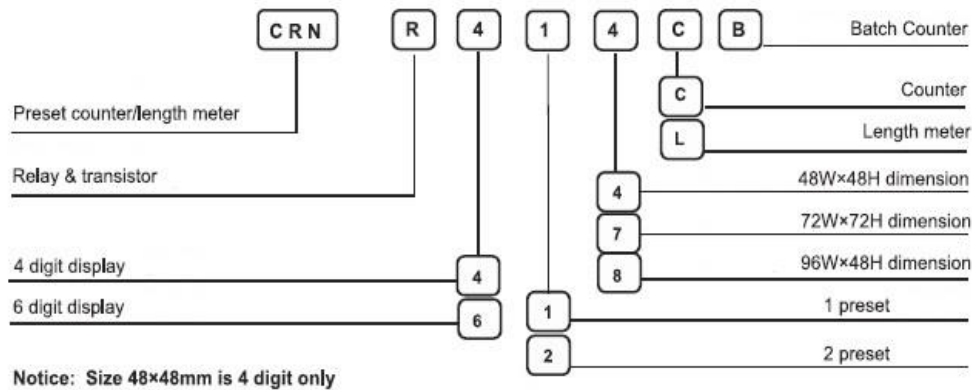


FEATURES :

- Preset counter, length meter, soft buttons operation, easy to operate.
- Dual line 4、6 digit display; Power fail holding function, up to 10 years.
- Counting mode: counting Up or counting down, counting up and down, selectable by software.
- CP1, CP2 input, reset signal input; input mode: voltage(PNP),non-voltage input (NPN).
- Relay output
- Batch counter is available for total counting and batch counting.
- Counter speed: 30Hz/300Hz/1000Hz/5000Hz,selectable by software.
- Dimensions: 48X48mm, 72X72mm, 48X96mm.
- Application: can be used with photoelectric sensor, proximity switch and rotary encoder in the fields of machinery, light industrial, packing and packaging,food and beverage, for measure length, counter etc.



1.ORDERING CODE :

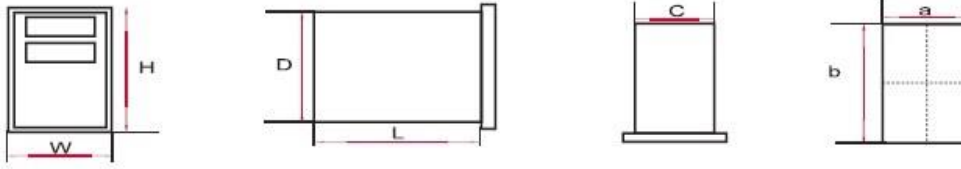


MODELS				COUNTER TYPE	PRESET
CRN-R414C	CRN-R424C	CRN-R414L	CRN-R424L		1:One / 2: Two
CRN-R617C	CRN-R627C	CRN-R617L	CRN-R627L		1:One / 2: Two
CRN-R618C	CRN-R628C	CRN-R618L	CRN-R628L		1:One / 2: Two
CRN-R617B	CRN-R627B	CRN-R618B	CRN-R628B	6: 6 digit	1:One / 2: Two

2.TECHNICAL SPECIFICATIONS

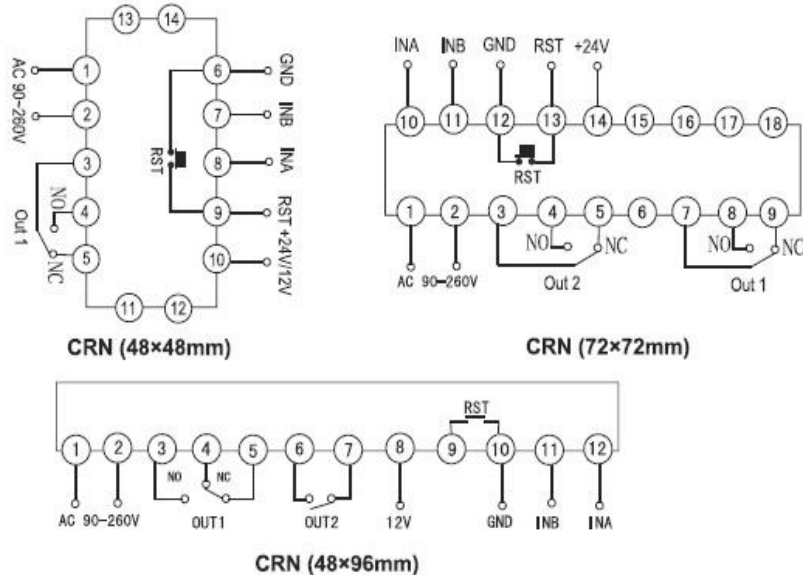
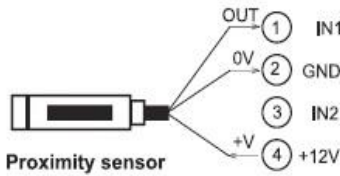
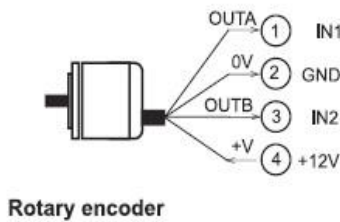
Power supply	AC 90~260V / 50~60Hz
Power consumption	≤ 5VA
Transmitter supply	12V or 24V DC ±10% max.50mA
Control output	Relay : NO, contact capacity: AC 250V /3A orDC 30V /3A Cosφ=1
Reset	Auto reset / manual reset / external switch reset
Input signals	Contact input, volate input, transducer input Input signals low voltage : 0~2V; High voltage : 4~30V Input resistance : 5KΩ
Counting mode	Counting up or counting down, counting up and down
Output mode	N、F、C、R
Display range	0~9999、0~999999
Decimal point	9.999 (4 digit)、99.9999 (6 digit)
Ambient temperature	0~50℃
Humidity	35~85%(RH)

3.DIMENSION AND INSTALLATION HOLE DIMENSION(unit: mm):



MODEL	DIMENSION		INSTALLATION HOLE DIMENSION: a × b(mm)
	W × H(mm)	C × D × L(mm)	
CRN-R□4	48 × 48	45 × 45 × 80	(45+0.5) × (45+0.5)
CRN-R□8	48 × 96	91 × 45 × 80	(91.0+0.5) × (45.0+0.5)
CRN-R□7	72 × 72	67,5 × 67,5 × 100	(67,5+0,5) × (67,5+0,5)

4.ELECTRICAL CONNECTIONS:



Note: if the connection drawing doesn't correspond to the drawing on the product, please according to the drawing on the product.

5.CAUTIONS:

- Users are prohibited to repair the controller by themselves to avoid any damage to the controller.
- The controller needs to check and maintain regularly so as to operate safely long-term. To change the damaged components, please contact our sales people or technical people for assistance.
- To clean out the dust or dirt on the instrument screen, please use soft cloth or cotton paper.
- Do not use screw driver or hard pin to touch the soft buttons on the faceplate.
- To avoid this instrument used in environment of overflow water or explosive oil.
- In case the instrument is used in environment of strong noise, (such as motor, transformer, solenoid, etc.) A current suppresser or noise filter should be used. In case the instrument is use in environment of nuclear control, industrial equipment, auto, train, airplane or security equipment that need protections, please contact the manufacturer for details.

Prox. sensor
 Photo Sensor
 Hall Sensor
 SSR
 Temperature Controller
 Sensor Indicator
 Counter
 Timer
 Frequency/ Pulse/Line speed meter
 Coulo meter
 Digital Panel Meter