

MFM489 Pressure Transmitter

Brief Introduction

MFM489 product is piezo-resistive pressure transmitter with zero and span adjustable. It uses high stable and reliable pressure sensor and special circuit board to produce transmitter, and performance is good and reliable. MFM489 pressure transmitter is used for measure and control of petroleum, chemi-industry, electric power, hydrology and flow pressure measure, etc.

Features

- Reliable performance, easy application
- Short protection and reverse polarity protection
- Measure gauge, absolute and sealed gauge
- Intrinsic safe version, conforming to Standard Exia II CT6 of GB3836.4
- Exd product conforms to Standard GB3836.2, and Exd certificate is approved. Exd sign is Exd II CT6
- Ship-use product conforming to CCS Rules of Classification of Sea-going Steel Ships (2006)
- RFI /EMI protection
- CE and RoHS approved



Specification

- Pressure range: 0/-1 . . . 0-600 barg
- Overpressure: 1.5 times FS or 1100barg (min. value is valid)
- Pressure type: gauge/ absolute / sealed gauge
- Process connection: G 1/4" male waterline seal (or on your demand)
- Accuracy: 0.5%FS
- Long term stability: max. $\pm 0.3\%$ FS/year
- Zero thermal drift: 0.1%FS(≤ 1 barg); 0.05%FS(> 1 barg)
- Span thermal drift: 0.1%FS(≤ 1 barg); 0.05%FS(< 1 barg)
- Compensation temp.: 0~50°C
- Application temp.: -30~80°C, intrinsic safe version: -10~60°C, EXD: -20~60°C

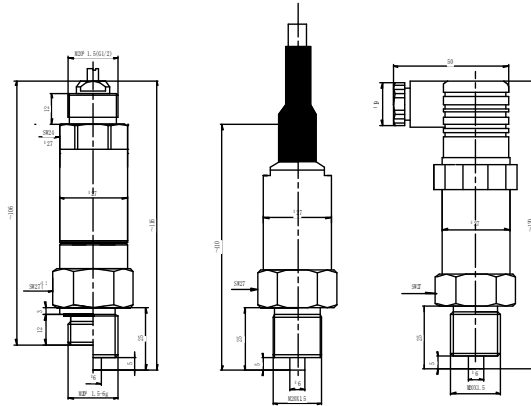
- Storage temp.: -40~120°C
- Power supply: 10~28VDC, intrinsic safe version supplied by safe barrier
EXD: 8~28VDC
- Output signal: 4~20mADC (2-wire) , 0/1~5VDC (3-wire)
- Load: $\leq (U-10) / 0.02\Omega$ (2-wire) , $\geq 10k$ (3-wire)
- Housing protection: IP65
- Electric connection: DIN43650 plug

Construction and Outline Dimension

Construction material:

- Housing: stainless steel 1Cr18Ni9Ti
- Sensor housing: stainless steel 316
- Diaphragm: stainless steel 316L
- Sealed-ring: Viton
- Plug housing: plastic

Outline dimension:

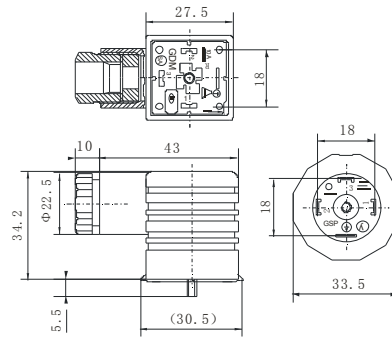


Exd cable plug

Electric Connection

Transmitter connects with the outer circuit through DIN43650 plug. Terminal definition as below:

Pin	2-wire	3-wire
1	+V	+V
2	Signal: +OUT	GND
3	Null	Signal: +OUT



Wire color	2-wire	3-wire
Black	+V	+V
Red	0V	+OUT
White	Null	GND

Order Information

MFM489	Pressure Transmitter		
	Range	Pressure range: 0/-1 ... 0-600 barg	
	[0~X]BARG or	X: the actual measured pressure	
	Code	Output signal	
	E	4~20mADC	
	F	1~5VDC	
	J	0~5VDC	
	Code	Construction material	
		Diaphragm	Pressure port
		Housing	
	22	SS 316L	SS
	25	Tantalum	SS
	35	Tantalum	Hastelloy
	Code	Others	
	B ₁	Plug connection	
	P	Flush diaphragm (0~700mbarg...350arg)	
	M ₃	3 1/2 digits LCD digital indicator	
	M ₄	3 1/2 digits LED digital indicator	
	i	Intrinsic safe version: ExiaIICT6	
	T	Ship-use	
	d	ExdIICT6	
	C ₁	G1/4" male, face type seal	
	C ₃	G1/2 male (used for flush diaphragm type)	
	C ₅	M20×1.5 male, waterline seal	
	G	Gauge	
	S	Sealed gauge	
	A	Absolute	
MFM489	[0~100 barg]	E	22 B ₁ C ₅ G
the whole spec			

Note:

1. Please pay attention that the media should be compatible with the contacted parts;