

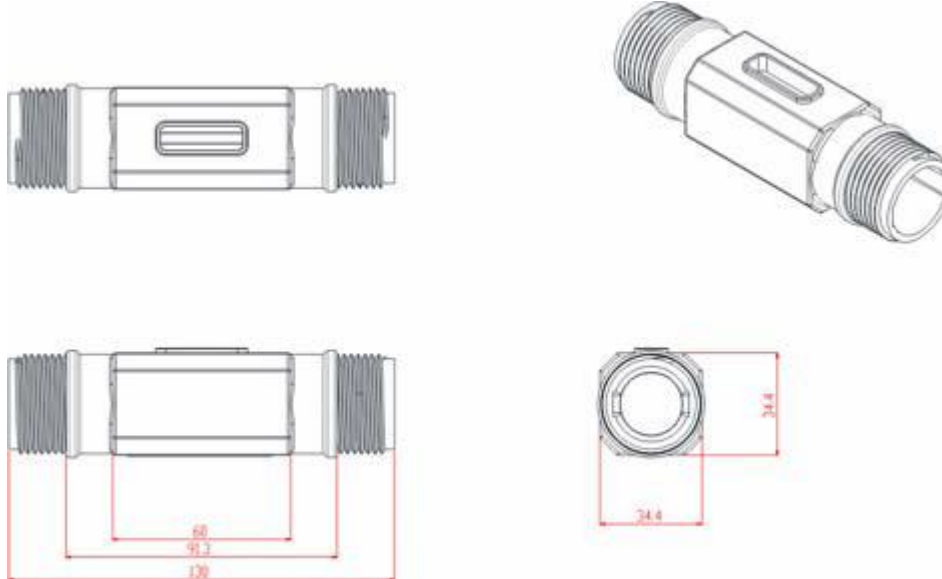
FTDH Flow Sensor

Features :

- Small and compact dimension
- Easy connection, 1" BSP thread
- High reliability and durability
- Installation flexibility : vertical or horizontal
- Wide rated voltage : 2.4 to 26 VDC
- Hall effect sensor, digital output



Dimensions :



Electrical :

Supply voltage : 2.4 – 26 V DC

Supply current : typical 2.8 mA,

maximum 8.0 mA.

Output mode : open collector
Output rise

time : typical 1.0μsecond. maximum 10μsecond.

Output falling time : typical 0.3μsecond. maximum 1.5μsecond.

Wire connection : Terminal 1 (Red) : Vdd

Terminal 2 (Brown) : Vout

Terminal 3 (Black) : Gnd

Connector : JST compatible

General:

Mounting Method : Horizontal to Vertical

Range of Flow Rate : 3 – 100 liter/min.

Calibration(horizontal mounting) : 80 pulse / liter

Maximum working pressure : 10Barg

Fluid : Cold and Warm water

Fluid temperature : 0 to 80C

Environment temperature : -20 to 80C

Body Materials : PA66 with 50% glass fiber

Turbine : plastic magnet

Turbine shaft : stainless steel