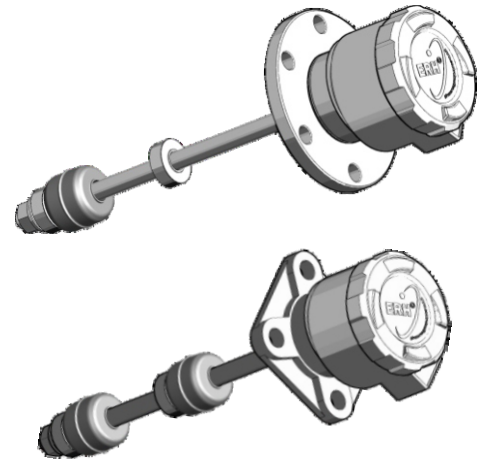


Magnetic level switch ERH-xx-20

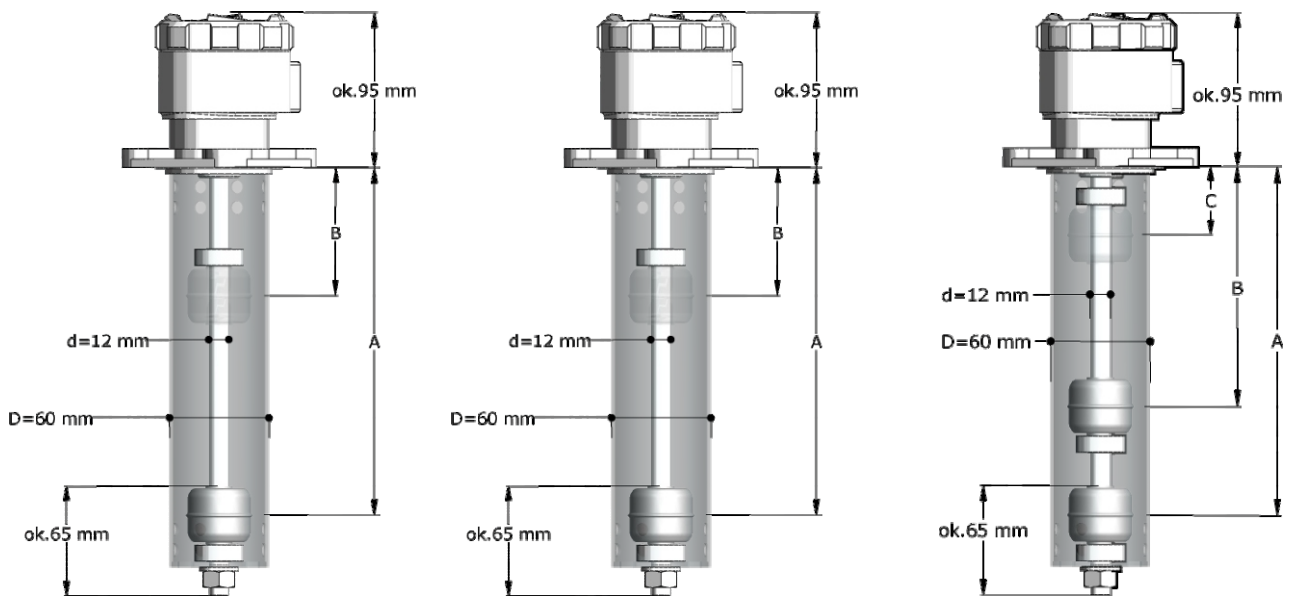
Level signalling of the medium having minimum density 0,70 g/cm³. The basic version, mounted from the top, is available with 92x92mm flange connector, head made from aluminium alloy and M20x1,5 cable gland with casing protection degree IP68. Other versions of mechanic or threaded flange connectors according to the ordering code. There is also a possibility of ordering the level switch with connector according to the requirements, e. g. with flange acc. to DIN or ANSI standard. The level switch can also be ordered in version fully made from acidproof steel, with additional cover protecting the float, made from stainless steel, with additional cover protecting the float, as well as with certified cable of optional length. The level switch has DNV GL Marine approval and ATEX certification.



Technical data

Min. medium density	0,70 g/cm ³	Type of temp. sensor	Pt100
Max. process pressure	1,0 MPa	ATEX	II 2G Ex db IIC T3÷T6 Gb
Ambient temperature	-25°C...+ 60°C	Material of the wet part	316L
Medium temperature	-25°C...+ 80°C	Material of the dry part	aluminum alloy or 316
Switching points	1,2 or 3	Floating element	Ø40x35mm
Switching rate *	230 V AC; 100VA; 1A 230 V DC; 50W; 0,5A	Protection tube	Ø60
Hysteresis	10mm	Weight of the level switch **	0,3...8,5 kg
Ingress Protection	IP68	Weight of the cable	0,15 kg/m

* maximum parameters of the reed relays apply to the loads of resistance character; for inductive loads such as relay coils, one should apply adequate protecting systems (detailed pieces of information in Operation Manual)
** it depends on the version



The dimensions A, B and C depend on the ordered version. For one signalling point: A min. 50mm, A max. 1000mm. For two signalling points: A min. 150mm, A max 1000mm; B min. 50mm, B max 900mm; (A - B) min. 100mm. For three signalling points: A min. 250mm, A max 1000mm; B min. 150mm, B max 900mm; C min. 50mm, C max 800mm; (A - B) min. 100mm, (B - C) min. 100mm.

Ordering procedure

ERH-02-20	Level switch with flange connector □ 92mm (4 holes Ø14/Ø92mm)	
ERH-04-20	Level switch with flange connector Ø120mm (6 holes Ø12/Ø100mm)	
ERH-06-20	Level switch with flange connector DN80PN40 (8 holes Ø18/Ø160mm)	
ERH-09-20	Level switch with threaded connector 2" NPT	
ERH-XX-20	Level switch with connector according to the order	
	/A/0/0	1 switching point (give value A in mm)
	/A/B/0	2 switching points (give values A and B in mm) *
	/A/B/C	3 switching points (give values A, B and C in mm) *
	-1	Electric connector IP68 without cable (not available with Ex option)
	-2	Electric connector IP68 with cable 3m length ** (not available with Ex option)
	-3	Electric connector ER2-1593 (IP68) with cable 3m length ** (not available with Ex option)
	-4	Electric connector IP68 with marking ATEX Ex d IIC
	-5	Electric connector without cable gland (thread M20x1,5)
	-K	Fully stainless steel version
	-P	With protection of float (not available with Ex option)
	-T	With Pt100 sensor (not available with Ex option)
	-PT	With protection of float and Pt100 sensor (not available with Ex option)
	-KP	Fully stainless steel version with protection of float
	-KT	Fully stainless steel version with Pt100 sensor
	-KPT	Fully stainless steel version with protection of float and Pt100 sensor
	/Ex	ATEX version II 2G Ex db IIC T3+T6 Gb

ERH-11-20	Level switch with mounting clamp (mini version - fully stainless steel)	
	/H-2	1 switching point approximately in the middle of tube length + electric connector with cable 3m length **
	-Y	With yoke / shackle
	-P	With protection of float
	-YP	With yoke / shackle and protection of float
	-YP/Tester	With yoke / shackle, protection of float and tester

* the dimensions A, B and C depend on the ordered version; for one signalling point: A min. 50mm, A max. 1000mm; for two signalling points: A min. 150mm, A max 1000mm; B min. 50mm, B max 900mm; (A – B) min. 100mm; for three signalling points: A min. 250mm, A max 1000mm; B min. 150mm, B max 900mm; C min. 50mm, C max 800mm; (A – B) min. 100mm, (B – C) min. 100mm

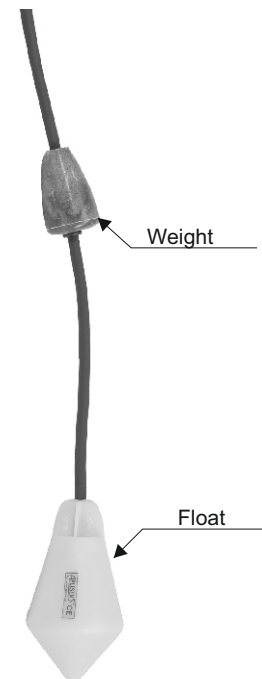
** other lengths of cable upon the order

Float level switch ERH-01-18

- ✓ **Min/max signalization**
- ✓ **Range change possible by changing weight position**
- ✓ **Direct control of low power pumps**
- ✓ **Chemical resistance to most common media**
- ✓ **High mechanical and electrical resistance**

Technical data

Minimal signalization range	350mm ±15%
Max. medium temperature	85°C
Max. pressure	0,35 MPa
Nominal current I_{nc}	20 A
Power supply	250V AC-50/60Hz
Contacts	filling - black – blue emptying - black – brown
Ambient temperature	-25...+80°C
Ingress protection class	IP68
Cable length	10 or 20 m
Cable type	Neoprene HR HY H07RN8-F 3x1mm ²
Float material	Copolymer polypropylene
Additional accessories	Weight



Ordering procedure

ERH-01-18 / L = ... m/...

Cable length: 10 or 20 m Optional: weight