

**GENERAL CHARACTERISTICS**

A totally sealed bimetal thermostat opens or closes when the pre-fixed switch value is overrated or undercut.

- \* optional installation
- \* compact dimensions
- \* n.o. or n.c. position

Male thread G1/2A brass/stainless steel



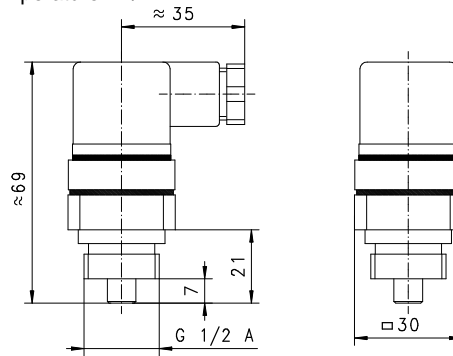
**TECHNICAL DATA**

**TF1-040M015HS**

	G	Type	PN bar	switch value °C in increments to 10°	hysteresis K	weight kg
brass	G 1/2 A	TF1-...M015H..	100	40 - 130	10 - 20	0.12
stainless steel	G 1/2 A	TF1-...K015H..	100	40 - 130	10 - 20	0.12

Sensor has to be fully wetted. Switch value is indicated for increasing temperature 2K/min.

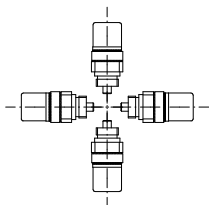
tolerance ±10K  
media Temperature switch value + 50°C



**MATERIALS**

	TF1-...M015H..	TF1-...K015H..
body	Ms58	1.4305
plug	PA6.6	PA6.6

**MOUNTING POSITION**

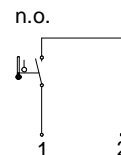


Sensor has to be fully wetted!

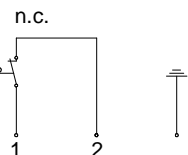
**ELECTRICAL DATA**

250 V AC 10 A  
plug DIN 43650-A  
protection class IP 65

wiring 0.212



wiring 0.214



**METERING SUBSTANCES**



water



gas/air



oil

**NOMENCLATURE**

TF1-	040	M	015	H	S	basic type specification
	040					● switch value 40 - 130°C in increments of 10°
	...					● brass design
	130					○ stainless steel design
		M				● connection thread G1/2A
		K				○ connection thread G3/4A (36 AF)
			015			● socket thread
			020			● wiring 0.212 n.o.
				H		● wiring 0.214 n.c.
					S	● diode integrated in plug
					O	
Programme option BASIC						○

All technical changes reserved

●BASIC Standard ○BASIC Programme option □VARIO Special option ⊕PLUS Accessories ✗not recommendable